

GV616 Series Pneumatically Operated High Vacuum Butterfly Valve



Applications:

Pneumatic-high vacuum butterfly valve uses solenoid directional valve to change the direction of air passage, and controls the actuating cylinder to drive the butterfly valve opened and closed. It is used to put through or cut off the airflow in vacuum pipeline. Applicable medium can be pure air and noncorrosive gases. The may be fitted with signal feedback device and electropneumatic valve positioner.

Technical Data:

Fluid: gas, water, steam, acid liquid more

Leak rate: $\leq 1.0 \times 10^{-6} \text{Pa} \cdot \text{L/s}$;

Operating pressure: $1.0 \times 10^{-6} \text{Pa} \sim 1.6 \times 10^6 \text{pa}$;

Working temp.: $-50^\circ\text{C} \sim +150^\circ\text{C}$;

Materials:

Body: AISI303; AISI316Ti

Sealing element: VITON

PipeConnection: Flange

Electrical data:

Voltage: AC230V、DC24V

Service pressure: double action(4-7bar); Single action(5-7bar)

Electric locator: Input4-20mA signal, regulating action

Electrical connection: Connecting box type (popular type),
electric cable lead wire type (explosion-proof)

Protection class: German standard DIN43650A(IP65)

Other functions: E explosion-proof (explosion-proof rank Exd IIC T5)

Figure Structure:

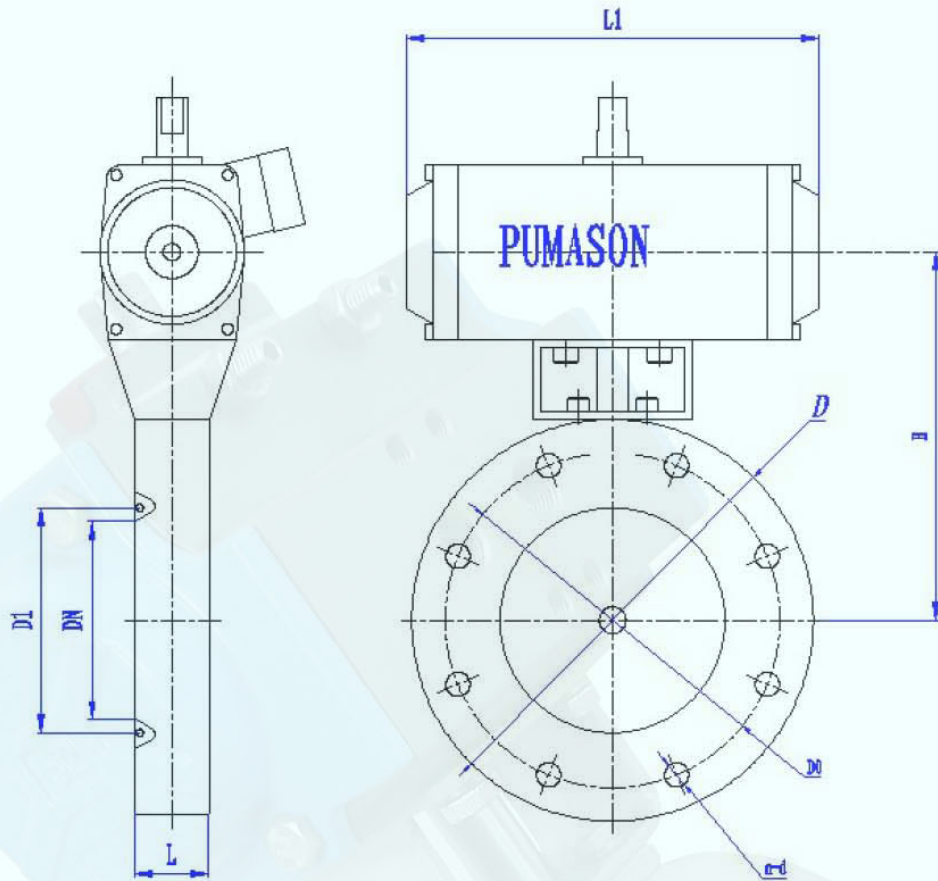


Figure date(mm):

Catalog No	DN	L	L1	H	D	D1	D0	n-φ d
GV616-32	32	22	104	150	78	36	64	4×φ7
GV616-40	40	22	104	162	85	44	70	4×φ7
GV616-50	50	22	104	175	110	55	90	4×φ9
GV616-65	65	26	140	198	125	70	105	4×φ9
GV616-80	80	30	140	208	145	85	125	4×φ9
GV616-100	100	30	140	220	170	105	145	4×φ12
GV616-125	125	35	164	240	195	130	170	4×φ12
GV616-150	150	35	164	272	220	156	195	8×φ12
GV616-200	200	40	190	330	275	208	250	8×φ12
GV616-250	250	45	190	335	330	258	300	8×φ14
GV616-300	300	55	247	426	380	308	350	8×φ14
GV616-400	400	60	308	520	500	408	465	8×φ18
GV616-500	500	80	378	643	600	510	565	12×φ18
GV616-600	600	100	524	760	710	610	670	12×φ20
GV616-800	800	130	648	962	920	818	880	12×φ21